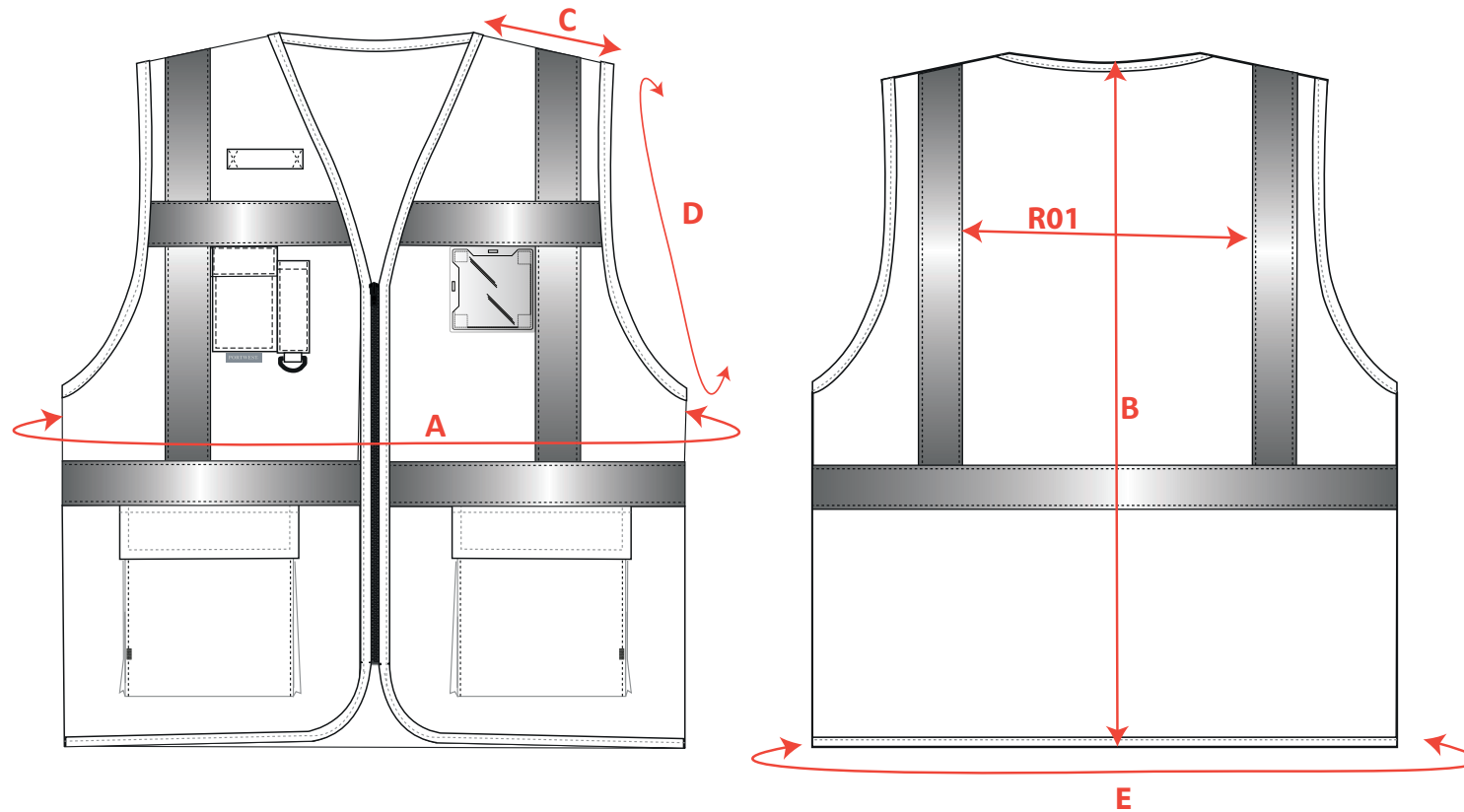


STYLE NO: F476

DESCRIPTION: Iona Executive Vest

FABRIC:

COLOUR:



Measurements in cm:		S	M	L	XL	XXL	3XL	4XL
A	Garment chest	104	112	120	132	140	148	156
B	Centre back length	76	76	76	76	76	76	76
C	Shoulder	15.5	16.5	17.5	18.5	19.5	20.5	21.5
D	Armhole	75	76	77	78	79	80	81
E	Hem	104	112	120	132	140	148	156
R01	Distance between vertical bands of reflective tape	29	31	33	35	37	39	40.5