

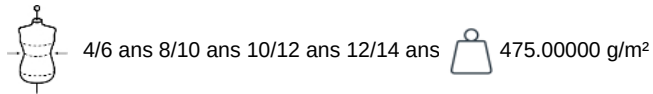
# KARIBAN

K696

## Kids' parka

- Supple and hard-wearing fabric with a thermal memory.
- Quilted lining for heat retention and optimal comfort.
- Thick, functional and comfortable.

100% polyester Oxford outer. 100% quilted polyester lining. Full zip with studded storm flap and tear release fastening. 2 zipped side pockets. 2 inner pockets, including 1 for mobile phone. Concealed hood in fleece-lined collar. Zip access for decoration. Average weight size 8/10 : 806g.



### More information

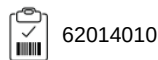
#### Logistic



#### Country of origin



#### Customs code

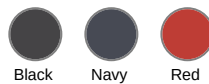


### Also available in version



K6108

K677

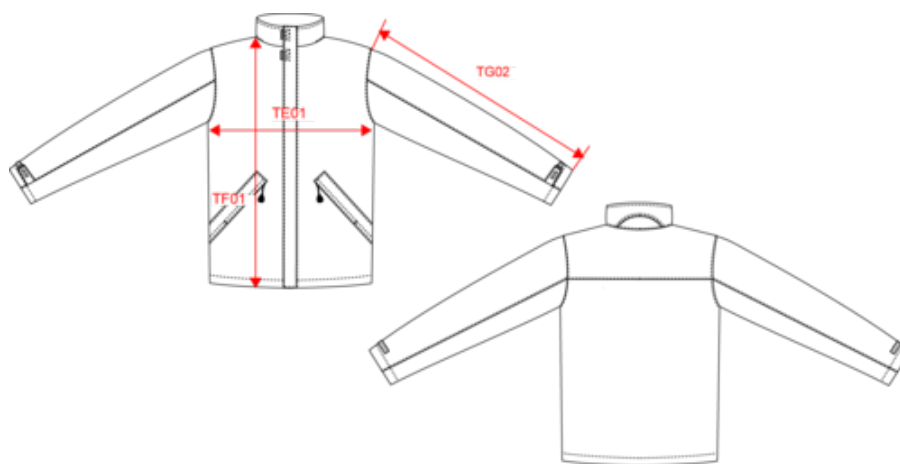


# KARIBAN

K696

Kids' parka

## Dimensions (cm)



Measurements in cm	4/6 ans	8/10 ans	10/12 ans	12/14 ans
TE01 - 1/2 chest width at 1.5cm below armhole	44.80	48.00	51.00	54.00
TF01 - Total height from HSP	61.60	70.80	73.15	77.50
TG02 - Long sleeve length	43.00	51.00	55.00	57.50

# KARIBAN

K696

Kids' parka

## Colours information



**Black**

RVB : 35,35,37  
Pantone C : Black  
Pantone TCX : 19-4004TCX



**Navy**

RVB : 41,46,56  
Pantone C : 433C  
Pantone TCX : 19-4012TCX



**Red**

RVB : 195,32,54  
Pantone C : 200C  
Pantone TCX : 19-1664TCX

Logistic



1



10

Sizes	Width (cm)	Height (cm)	Length (cm)	Net weight (kg)	Gross weight (kg)	Pieces/Box	Pieces/Bundle
4/6 ans	33.00000	34.00000	46.00000	7.00000	8.00000	10	1
8/10 ans	39	34	55		0	10	0
10/12 ans	36.00000	34.00000	48.00000	8.00000	9.00000	10	1
12/14 ans	38.00000	34.00000	50.00000	9.00000	10.00000	10	1